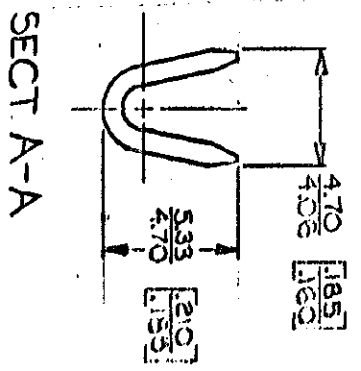
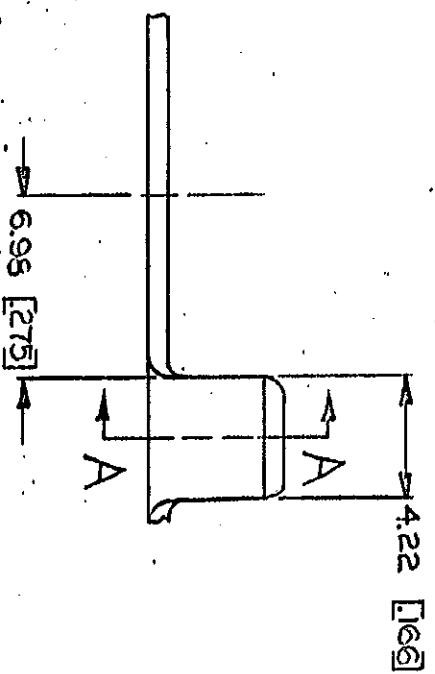
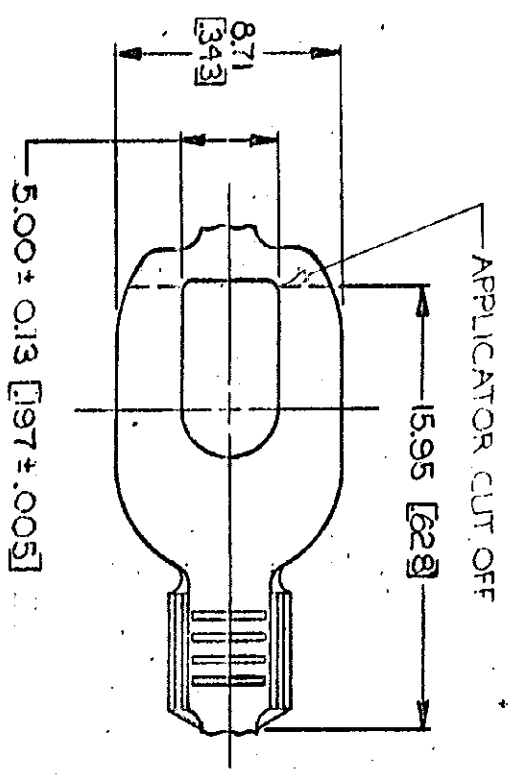


© COPYRIGHT 1965 BY AMP INCORPORATED, HARRISBURG, PA.
 ALL INTERNATIONAL RIGHTS RESERVED. AMP INCORPORATED PRODUCTS
 COVERED BY U. S. AND FOREIGN PATENTS AND/OR PATENTS PENDING.



1. CONTINUOUS STRIP ON REELS
 2. DIMENSIONS IN BRACKETS ARE IN INCHES.

METRIC

REVISIONS			
P	F	ZONE	LTR
1			5 REDRAWN & REVISED 4-8-65
2			K OBSOLETE - 1 AF-1556

STUD SIZE	#10	WIRE RANGE	08-2.0 mm ² [8-14]	FINISH	NONE TIN	MATERIAL	0.76 [030] BRASS	PART NO	40521-1 40521
	UNLESS OTHERWISE SPECIFIED DIMENSIONS ARE IN INCHES TOLERANCES ON DIMENSIONS ARE AS FOLLOWS: ANGLES ±1°		CONTRACT NO		DR. <i>W. J. ...</i> 5/3/78		CHK. <i>A. J. ...</i> 7/19/78		APPRO. <i>R. D. ...</i> 8-1-78
MATERIAL	SEE TABLE					SPADE			
FINISH	SEE TABLE								
SIZE	B	CODE IDENT NO	00779	DRAWING NO	40521				

CUSTOMER DRAWING

DUPLICATE ORIGINAL LOST
 2-20-81